

Kiefer “Surge” Starting Blocks

Product # 500345



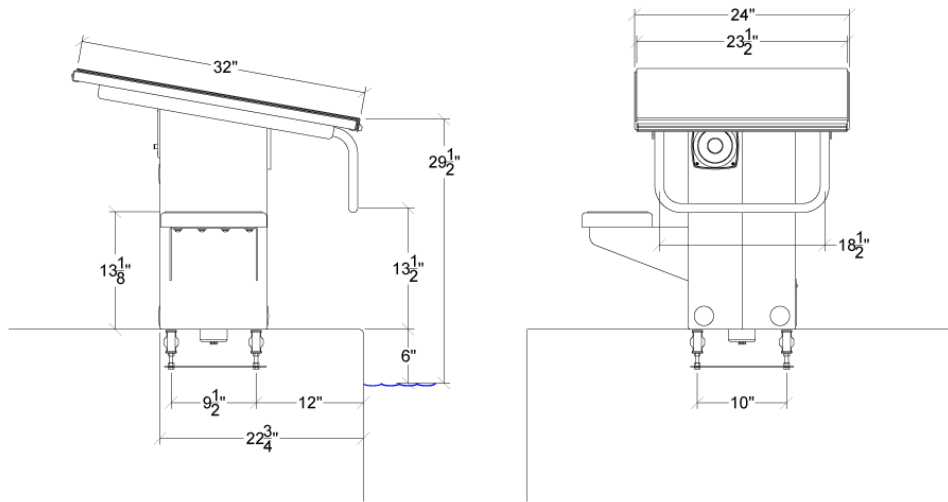
Features:

- Designed for seamless integration with Colorado Time Systems (CTS) equipment.
 - Optional CTS Relay Judging Platform (RJP) is removable for storage.
 - Design allows internal housing of cables and connections for tangle-free routing and a clean deck.
 - Optional CTS Control Hub mounts in back of base providing easy access for officials and technicians.
 - Optional CTS Starting Horn mounts in front of base for easy replacement or removal.
 - Side mount is perfect for most deck configurations.
 - Standard Kiefer Logo on top, custom logos available.
 - Conforms to regulations of long/short course competition for US Swimming, NCAA, FINA, NFHS.
 - Powder coated 10 gauge T-304L Stainless Steel base and step support.
 - Non-skid surface ensures the proper grip for fast and secure starts.
 - Minimal assembly required.
- * Shown with optional CTS timing equipment.

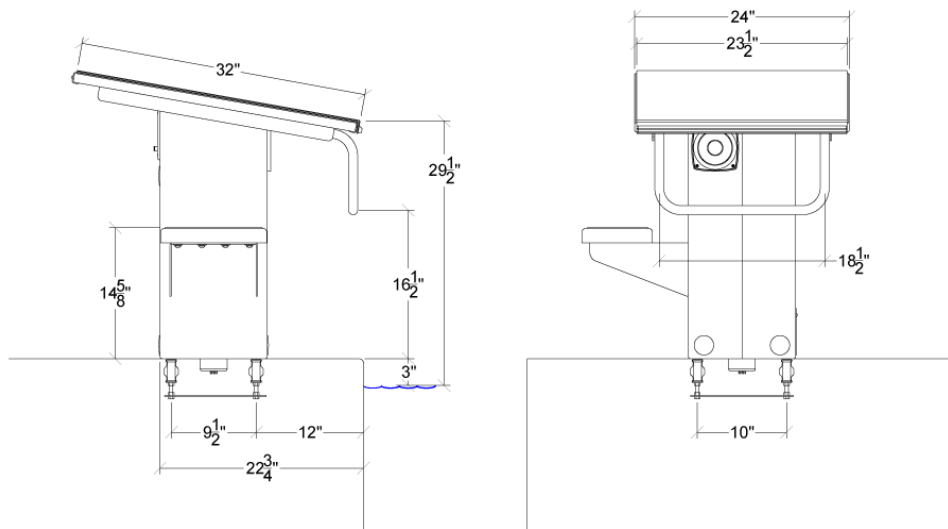


Note: Specifications and pricing subject to change without notice. All dimensions are in inches unless indicated otherwise.

Kiefer "Surge" Starting Block



SURGE Starting Block - 6" Deck to Water Level



SURGE Starting Block - 3" Deck to Water Level

Specifications:


The Kiefer "Surge" starting block (500345) shall be all stainless steel construction, using Type 304L stainless steel, (powder coated after fabrication).

The block top shall measure 24"w x 32"d constructed of Type 304L stainless steel, covered with a non-skid material and overlaying a 1" thick sheet of HDPE. The block top shall be fixed at a 10 degree angle, (sloping towards the pool). Unless otherwise specified a Kiefer deck logo shall be applied.

Steps shall be 12" x 8" molded thermoplastic with a non-slip embedded top surface.

The backstroke bar shall be 1" O.D. tube x .065" wall, Type 304L stainless steel, electro-polished.

All fasteners and hardware shall be 300 series stainless steel.

SPECIFICATION NUMBER:				Product Specifications - Written & Drawing	 Adolph Kiefer & Assoc. Commercial Products 1700 KIEFER DRIVE ZION, ILLINOIS 60099-4093 800-323-4071 Fax: 847-872-0284 www.kiefer.com
PRODUCT DESCRIPTION:	SURGE STARTING BLOCK			THE INFORMATION CONTAINED IN THIS SPECIFICATION IS THE SOLE PROPERTY OF ADOLPH KIEFER & ASSOC. AND CANNOT BE REPRODUCED IN WHOLE OR PART, NOR DELIVERED TO OTHERS WITHOUT THE EXPRESS WRITTEN CONSENT OF ADOLPH KIEFER & ASSOC.	
PRODUCT NUMBER:	500345				
WRITTEN BY:	DAG	DATE: 10.02.08	REVISION: A		
APPROVED BY:	JS	DATE: 10.03.08	PAGE No: 2 of 2		